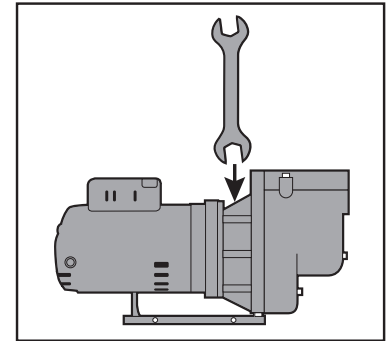


Centrifugal Pump Maintenance Winterization and Spring Start-Up

WINTERIZATION

1. Turn off lawn controller and source water valve – break suction vacuum.
2. If feasible, disconnect water source and discharge piping.
3. On pump case, open both top and bottom drain valves or plugs to remove water from pump chambers.
4. If blowing out irrigation system with pressurized air, use a narrow box wrench (dia. 1) to prevent the shaft from spinning. When impeller spins too fast, motor governor can be damaged.
5. Once water is drained from pump case, close drain valves.
6. Once drain valves are closed, fill pump case just past the eye of the impeller with Munro Freeze Defeat pump winterization fluid.



dia. 1



SPRING STARTUP

1. Drain the Munro Freeze Defeat.
2. Close top and bottom drain plugs or valves. Fill case with water to prime.
3. Reconnect water source and discharge piping.
4. Turn on lawn controller and source water valve.
5. If issues arise, refer to your owner's manual or the Munro Troubleshooting Guide for Centrifugal Pumps and Controls (www.munropump.com/resources#tips-troubleshooting)

Munro Freeze Defeat is safe for most grasses and landscaping when drained and residual diluted fluid is introduced into irrigation water. Use caution with fragile plants, flushing pump with water prior to start up.

