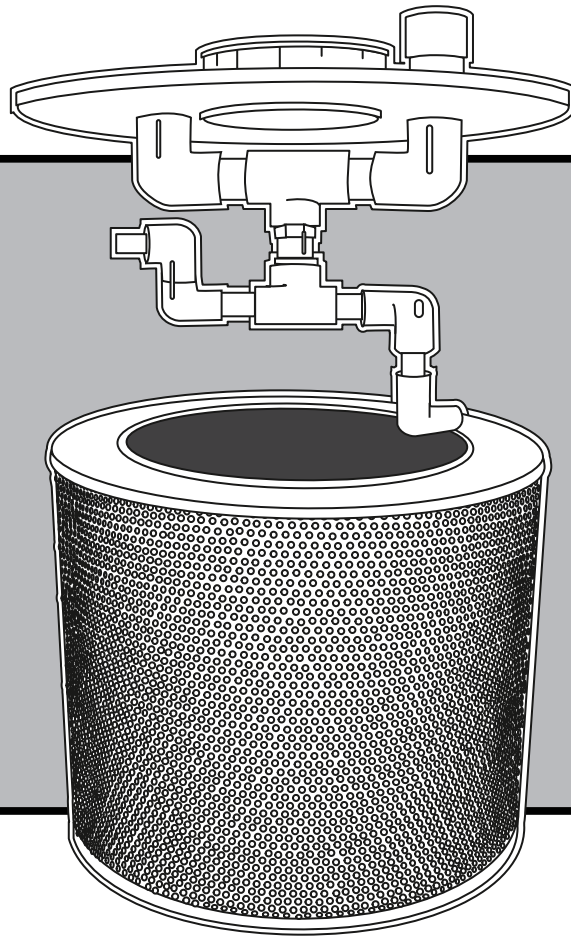


OWNER'S MANUAL

Self-Cleaning Basket Strainers

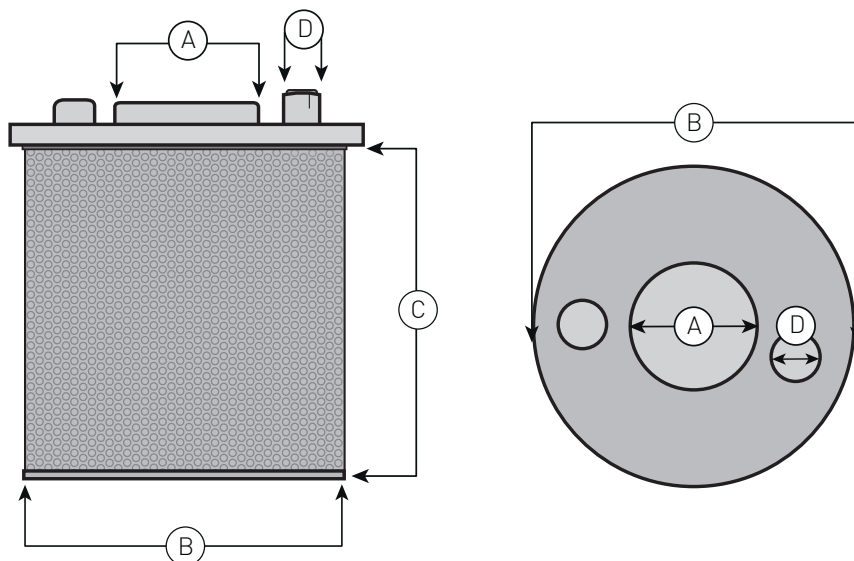


PARTS - DRAWINGS - DIMENSIONS - SPECIFICATIONS

1.800.942.4270
mpi@munropump.com
www.munropump.com

munro[®]

DIMENSIONS AND SPECIFICATIONS



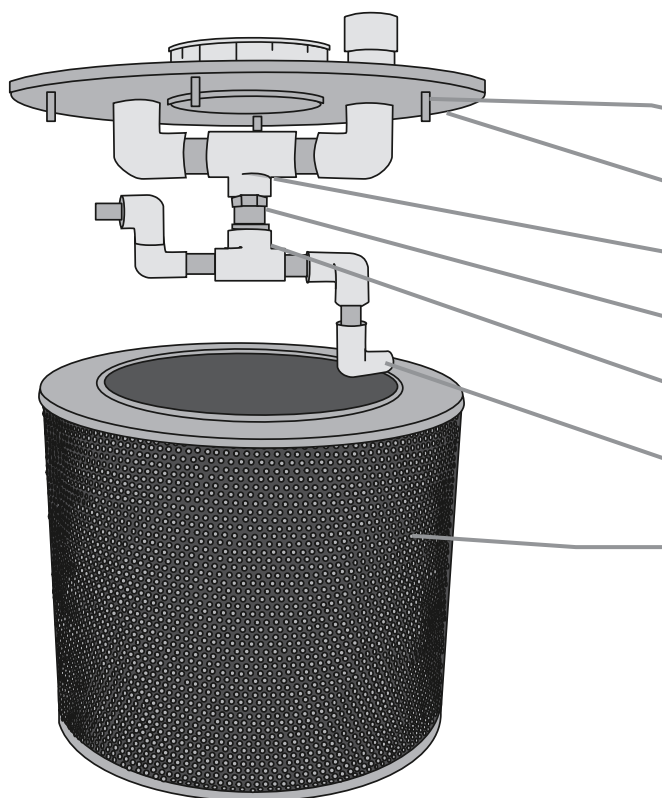
SELF-CLEANING STRAINERS

	A	B	C	D
MBSC200	2" NPT	10.25"	8"	3/4" NPT
MBSC300	3" NPT	10.25"	10"	3/4" NPT
MBSC400	4" NPT	15.25"	12"	1" NPT

OPERATION SPECS

	MBSC200	MBSC300	MBSC400
Screen Area (approx).	258 sq in	322 sq in	575 sq in
Maximum Recommended Output	70 gpm	105 gpm	170 gpm
Approx. Flush Line Demand at 40psi	5 gpm	6.5 gpm	10 gpm

PARTS BREAKDOWN



	MBSC200	MBSC300	MBSC400
BOLTS	MLPB919	MLPB919	MLPB919
TOP PLATE	MSC200-01A	MSC300-01A	MSC400-01A
UPPER MANIFOLD	MSC200-01B	MSC200-01B	MSC400-01B
BEARING	BE50BNG	BE50BNG	BE75BNG
LOWER MANIFOLD	MSC200-02	MSC300-02	MSC400-02
NOZZLES (2)	MSCNOZ200-05	MSCNOZ300-05	MSCNOZ400-05
SCREEN	MSC200-03	MSC300-03	MSC400-03

DRAWINGS

How it works

Munro Self-Cleaning PVC Strainers work by taking a small amount of the pressurized water generated by the pump and supplying this back to the strainer through a return line. The pressurized water drives the rotation of two internal flat-fan nozzles, which clean off any debris that may accumulate on the screen. The natural tendency for trash and debris to be

drawn onto the screen by the pump's suction is counteracted by the internal washing mechanism. The placement, size, and orientation of the nozzles are designed to maximize the cleaning capability for the amount of water used. Munro Self-Cleaning PVC Strainers are easily disassembled for cleaning and maintenance.

