

## Munro Submersible Dewatering Pumps

A dewatering pump is an invaluable tool for removing water quickly – whether in a commercial construction application or in a small residential clean-up job. These pumps are available in many different sizes and can range from small portable units to large stationary machines. Choosing the right pump for the job will save time, money and hassle.

### Choosing the right dewatering pump

#### 1. Determine the scope of your project

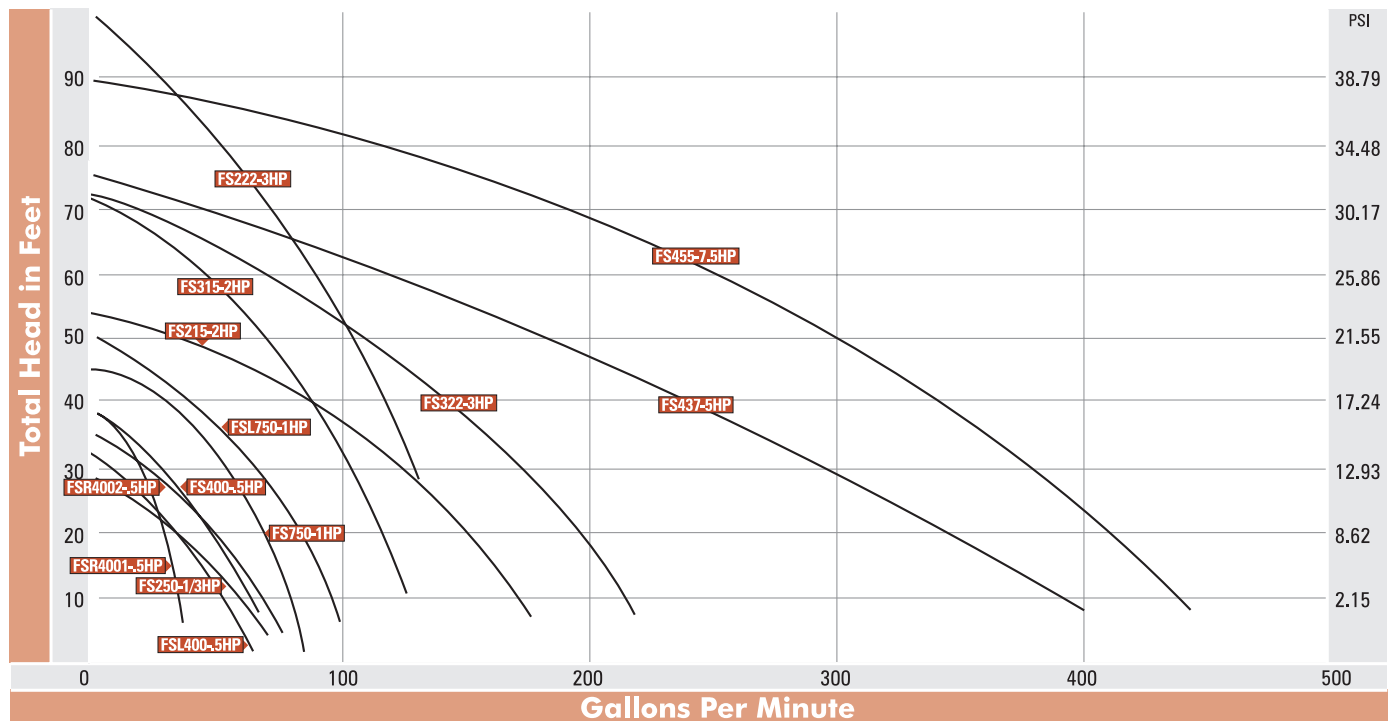
- Gallons per minute (GPM) – how much water do you need to move and how quickly do you need to move it?
- Head in feet – how high does the pump need to push the water, from the water level to where the water should emerge?
- Friction Loss – how long is the discharge pipe or hose, what friction losses must be considered?

#### 2. Determine the frequency of use and portability that you require

Will the pump be used continuously, periodically, or only once or twice? Do you need a pump that can be moved from one job site to another or will the pump be placed at one site for ongoing use?

#### 3. Consider the water

Is it clean or does it include small solids or debris that need to be pumped through?



For more options greater than 100 feet or 7,500 GPM, see specific following pages.

# Munro FS Series 1/3 hp - 30 hp



These extremely durable, long lasting pumps are perfect for countless applications. With our wide array of horsepower ranges, the FS series pumps are durable enough to take on mining and construction dewatering, and are also excellent for irrigation, industrial, marine and even residential applications.

- **Abrasion-resistant mechanical shaft seal** – protects the motor for longer life
- **Premium impeller construction** – high chrome steel impeller is extremely hard and wear resistant in our 2 hp and above, while a ductile Iron impeller easily handles 1/3 hp to 1 1/2 hp flow conditions
- **Stainless steel case, shaft and strainer** – durable and low maintenance

## COMMON APPLICATIONS

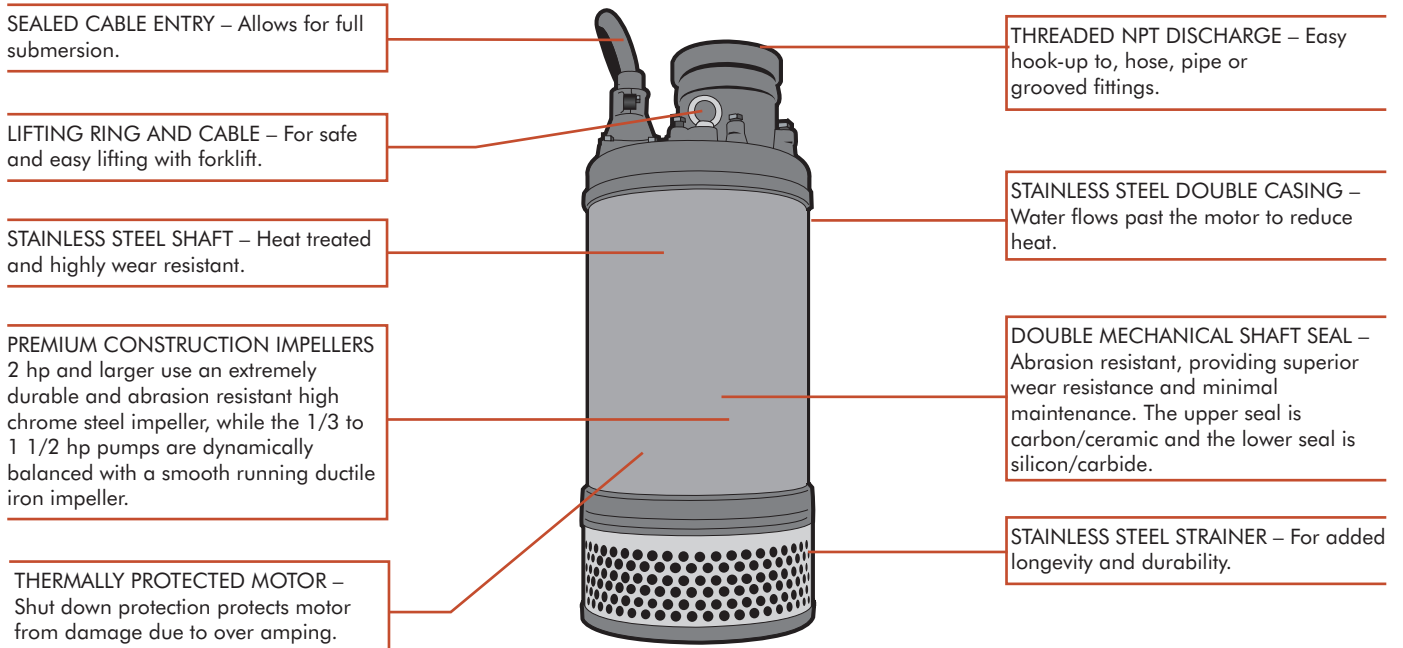
Recommended for: dewatering, water transfer  
Other uses: water features

## ADVANTAGES

**Continuous duty design** – These pumps are made to run! Our double casing design takes the flow path across the motor housing to whisk away the heat generated by the motor. A cool motor means a longer life.

**Wear resistant materials** – We use stainless steel in our housing, shaft and strainer, providing wear resistance and a long life in all conditions.

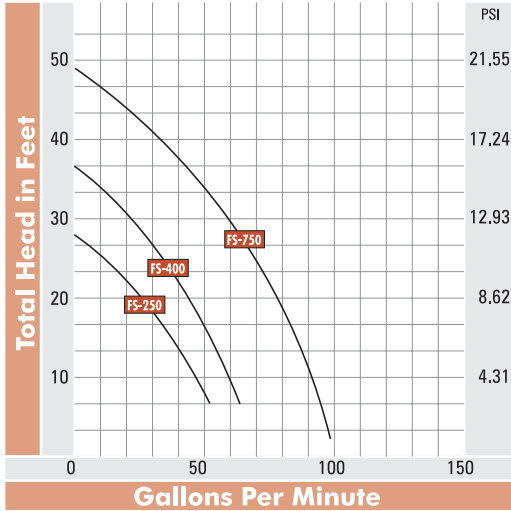
**Great performance at a great value** – With our heavy duty construction, high head or high gpm capacity, and versatile design, you'll be pleasantly surprised when you compare this pump to its competition!



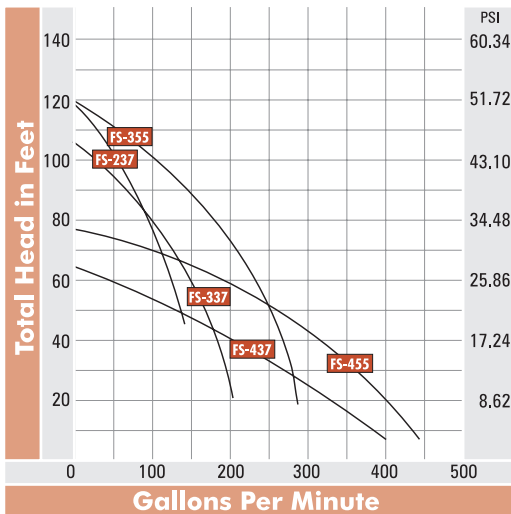
# Munro FS Series 1/3 hp - 30 hp

## Curves

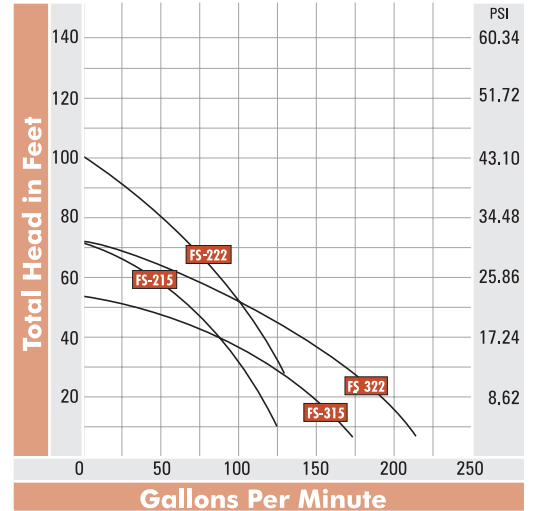
HORSEPOWER RANGE: 1/3 - 1



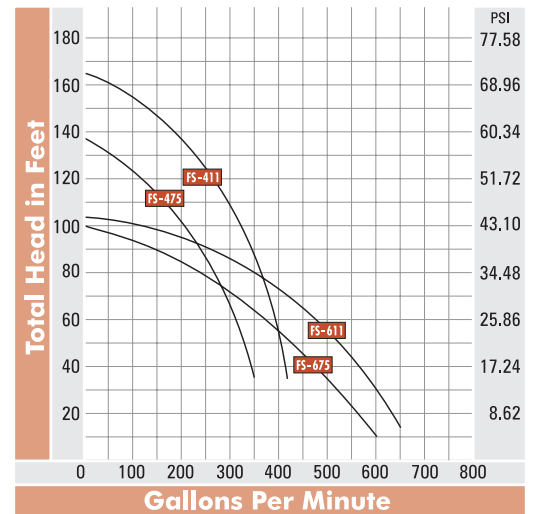
HORSEPOWER RANGE: 5 - 7 1/2



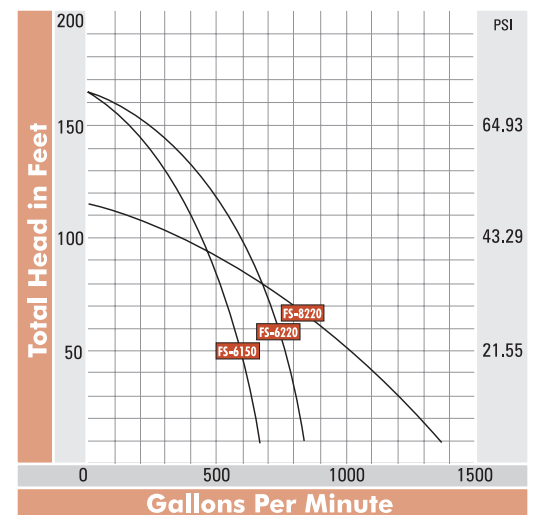
HORSEPOWER RANGE: 2 - 3



HORSEPOWER RANGE: 10 - 15



HORSEPOWER RANGE: 20 - 30



# Munro FS Series 1/3 hp - 30 hp

## Pick-A-Pump

TOTAL HEAD IN FEET	CHOOSING A MUNRO FS PUMP: FS250/400/750						HP RANGE: 1/3 - 1	PSI
	40	FS750	FS750					
30	FS400	FS750	FS750				12.93	
20	FS250	FS400	FS400	FS750	FS750	FS750	8.62	
10		FS250	FS250	FS400	FS400	FS750	4.31	
	20	30	40	50	60	70		
<b>GALLONS PER MINUTE</b>								

TOTAL HEAD IN FEET	CHOOSING A MUNRO FS PUMP: FS215/315/222/322						HP RANGE: 2 - 3	PSI
	80	FS222	FS222					
70	FS222	FS222		FS237			30.17	
60	FS215	FS322	FS222/FS322	FS237			25.86	
50	FS315	FS215	FS322	FS222/FS322	FS237		21.55	
40	FS315	FS315	FS215/FS315	FS322	FS322		17.24	
30		FS315	FS215/FS315	FS215/315	FS322	FS322	12.93	
20					FS315	FS322	8.62	
	25	50	75	100	125	150		
<b>GALLONS PER MINUTE</b>								

TOTAL HEAD IN FEET	CHOOSING A MUNRO FS PUMP: FS237/337/437/355/455						HP RANGE: 5 - 7 1/2	PSI
	90	FS237	FS355					
80	FS237/FS337	FS337	FS355				34.48	
70	FS455	FS237	FS355	FS355			30.17	
60	FS455	FS455	FS455	FS355			25.86	
50	FS437	FS437	FS337	FS455	FS455		21.55	
40		FS437	FS437	FS437	FS455	FS455	17.24	
30				FS437	FS437	FS455	12.93	
20						FS437	8.62	
10							4.31	
	50	100	150	200	250	300	350	
<b>GALLONS PER MINUTE</b>								

TOTAL HEAD IN FEET	CHOOSING A MUNRO FS PUMP: FS411/475/611/675						HP RANGE: 10 - 15	PSI
	150	FS411						
140	FS411						60.34	
130	FS411	FS411					56.03	
120	FS475	FS411					51.72	
110	FS475	FS411	FS411				47.41	
100	FS611	FS475	FS411				43.10	
90	FS675	FS611	FS411				38.79	
80	FS675	FS675	FS611				34.48	
70		FS675	FS675	FS611			30.17	
60			FS475/FS675	FS611			25.86	
50				FS675	FS611		21.55	
40				FS675	FS611		17.24	
	100	200	300	400	500			
<b>GALLONS PER MINUTE</b>								

TOTAL HEAD IN FEET	CHOOSING A MUNRO FS PUMP: FS6150/6220/8220						HP RANGE: 20 - 30	PSI	
	150	FS6220							64.65
140	FS6150	FS6220					60.34		
130	FS6150	FS6150	FS6220				56.03		
120	FS6150	FS6150	FS6220	FS6220			51.72		
110	FS6150	FS6150	FS6150	FS6220			47.41		
100	FS8220	FS8220	FS6150	FS6220			43.10		
90				FS8220	FS6220		38.79		
80				FS6150	FS8220		34.48		
70				FS6150	FS8220	FS8220	30.17		
60				FS6150	FS8220	FS8220	25.86		
50				FS6150	FS6220	FS8220	21.55		
	200	300	400	500	600	700	800	900	1000
<b>GALLONS PER MINUTE</b>									

# Munro FS Series 1/3 hp - 30 hp

## Specifications – Pump

HP	Solids Handling in	Discharge Size in	Weight lbs	Model Number
1/3	.24	1.5	32	FS250S11
1/3	.24	1.5	32	FS250S22
1/2	.24	2	33	FS400S11
1/2	.24	2	33	FS400S22
1	.32	2	40	FS750S11
1	.32	2	37	FS750S22
1	.32	2	35	FS750T22
1	.32	2	35	FS750T44
2	.36	2	83	FS215S11
2	.36	2	81	FS215S22
2	.36	2	70	FS215T22
2	.36	2	60	FS215T44
2	.36	3	83	FS315S11
2	.36	3	81	FS315S22
2	.36	3	59	FS315T22
2	.36	3	78	FS315T44
3	.36	2	88	FS222T22
3	.36	2	68	FS222T44
3	.36	3	68	FS322T22
3	.36	3	69	FS322T44
5	.4	2	142	FS237T22
5	.4	2	122	FS237T44
5	.4	3	143	FS337T22
5	.4	3	135	FS337T44
5	.4	4	145	FS437T22
5	.4	4	144	FS437T44
7.5	.4	3	158	FS355T22
7.5	.4	3	148	FS355T44
7.5	.4	4	133	FS455T22
7.5	.4	4	148	FS455T44
10	.6	4	300	FS475T22
10	.6	4	300	FS475T44
10	.6	6	300	FS675T22
10	.6	6	300	FS675T44
15	.6	4	305	FS411T22
15	.6	4	307	FS411T44
15	.6	6	310	FS611T22
15	.6	6	311	FS611T44
20	.6	6	313	FS6150T22
20	.6	6	313	FS6150T44
30	.8	6	570	FS6220T22
30	.8	6	570	FS6220T44
30	.8	8	581	FS8220T22
30	.8	8	581	FS8220T44

# Munro FS Series 1/3 hp - 30 hp

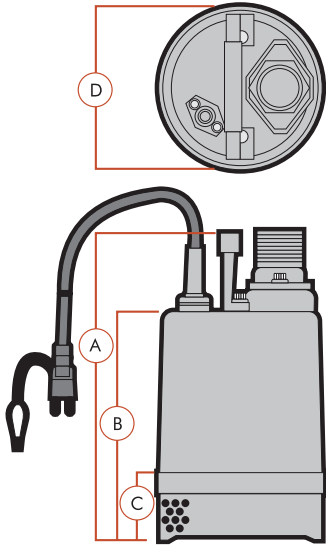
## Specifications – Motor

HP	Voltage	Phase	Amps	Thermal Protection	Cord length ft	Liquid Max Temp.	Model Number
1/3	110	1	4	Y	18	104° F	FS250S11
1/3	220	1	2.5	Y	18		FS250S22
1/2	110	1	5.3	Y	18		FS400S11
1/2	220	1	3	Y	18		FS400S22
1	110	1	10	Y	18		FS750S11
1	220	1	5	Y	18		FS750S22
1	220	3	4	Y	18		FS750T22
1	440	3	2	Y	18		FS750T44
2	110	1	20	Y	33		FS215S11
2	220	1	10	Y	33		FS215S22
2	220	3	6	Y	33		FS215T22
2	440	3	3	Y	33		FS215T44
2	110	1	20	Y	33		FS315S11
2	220	1	10	Y	33		FS315S22
2	220	3	6	Y	33		FS315T22
2	440	3	3	Y	33		FS315T44
3	220	3	8	Y	33		FS222T22
3	440	3	4.5	Y	33		FS222T44
3	220	3	9	Y	33		FS322T22
3	440	3	4.5	Y	33		FS322T44
5	220	3	15	Y	33		FS237T22
5	440	3	7.5	Y	33		FS237T44
5	220	3	15	Y	33		FS337T22
5	440	3	7.5	Y	33		FS337T44
5	220	3	15	Y	33		FS437T22
5	440	3	7.5	Y	33		FS437T44
7.5	220	3	25	Y	33		FS355T22
7.5	440	3	11.3	Y	33		FS355T44
7.5	220	3	22.5	Y	33		FS455T22
7.5	440	3	11.3	Y	33		FS455T44
10	220	3	30	Y	33		FS475T22
10	440	3	15	Y	33		FS475T44
10	220	3	30	Y	33		FS675T22
10	440	3	15	Y	33		FS675T44
15	220	3	45	Y	33		FS411T22
15	440	3	22.5	Y	33		FS411T44
15	220	3	45	Y	33	FS611T22	
15	440	3	22.5	Y	33	FS611T44	
20	220	3	60	Y	33	FS6150T22	
20	440	3	30	Y	33	FS6150T44	
30	220	3	90	Y	33	FS6220T22	
30	440	3	45	Y	33	FS6220T44	
30	220	3	90	Y	33	FS8220T22	
30	440	3	45	Y	33	FS8220T44	

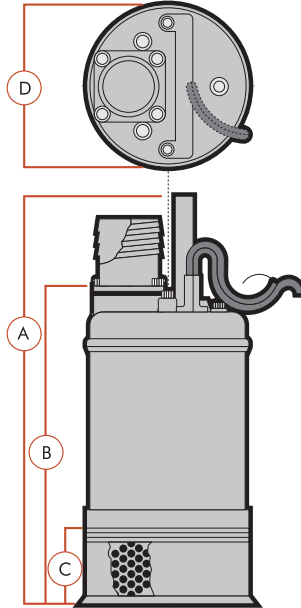
# Munro FS Series 1/3 hp - 30 hp

## Dimensions

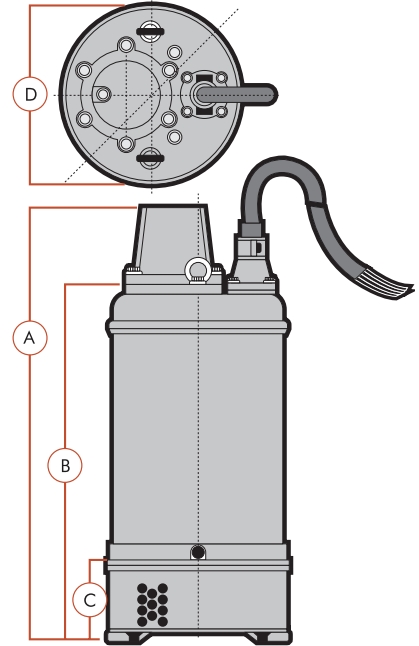
MODELS: FS250/400/750



MODELS: FS215/315/222/322/237/  
337/437/355/455

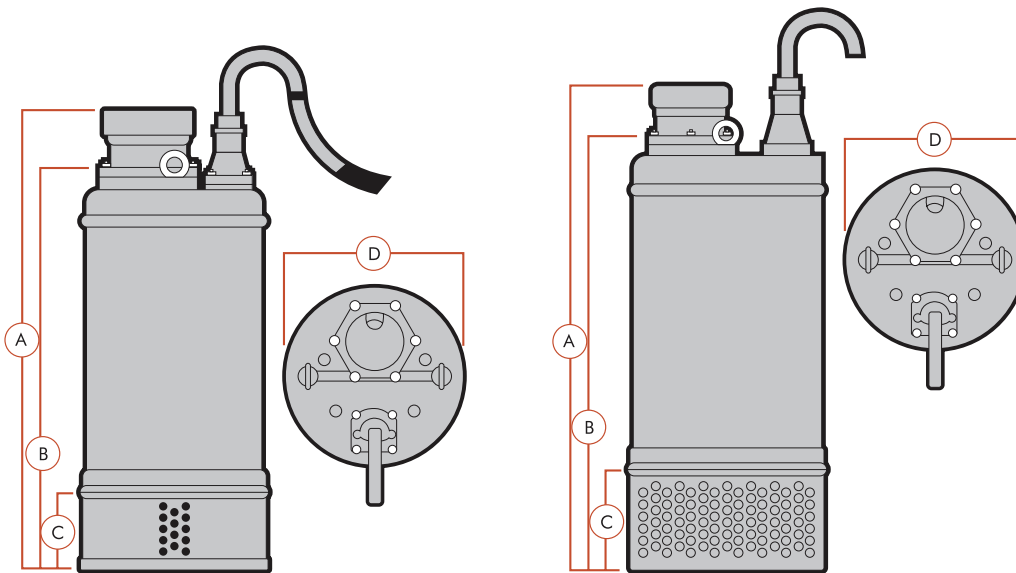


MODELS: FS475/675/411/611



MODELS: FS6150

MODELS: FS6220/8220



A	B	C	D	Model Number
13.375"	10"	3"	7.125"	FS-250/400
14.625"	11.25"	3"	7.125"	FS-750
22"	16"	2.875"	8.5"	FS-215/315
22"	16"	2.875"	8.5"	FS-222/322
25.25"	19.625"	4.75"	11.25"	FS-237/337/437
26.375"	20.625"	4.75"	11.25"	FS-355/455
33.25"	27.375"	7"	13.875"	FS-475/675
33.25"	27.375"	7"	13.875"	FS-411/611
36"	30"	5.75"	13.75"	FS6150
41"	37"	8"	16.5"	FS6220/8220

## Munro FSR Series



The Munro FSR is specifically designed for continuous duty to extremely low levels of water. Ideal for pumping out basements or job sites where removing the maximum amount of water is desired. Designed to be easily carried from job to job. Sets up in minutes.

- **Specially designed rubber base** – will pump down to as little as 1/8" of fluid
- **Oil-free motor** – with thermal and over-current protector
- **Abrasion-resistant mechanical shaft seal** – protects the motor for longer life

### COMMON APPLICATIONS

Recommended for: dewatering

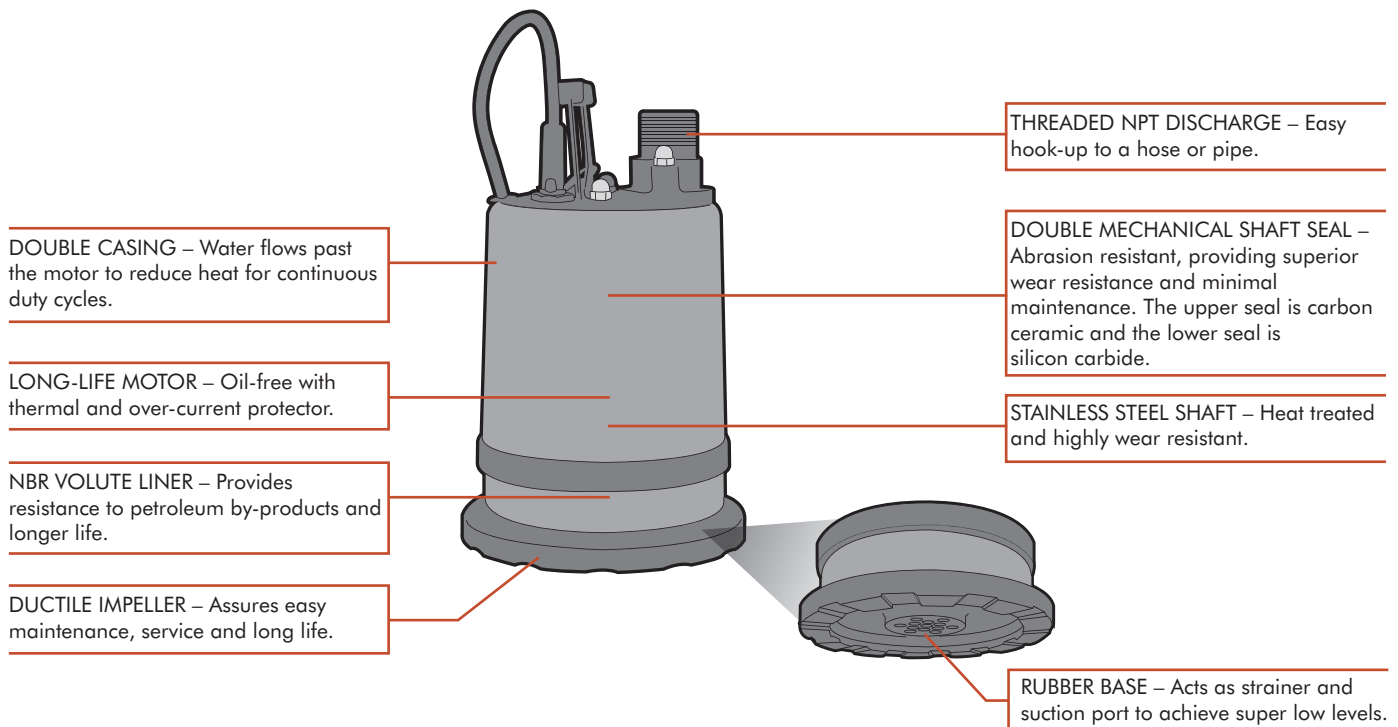
Other uses: water features, water transfer

### ADVANTAGES

**Pumps down to 1/8"** – When you need to get rid of fluid, especially on a flat surface, this pump is the one for you!

**Easy to use** – Just place in water and plug it in. Water enters from the bottom so this pump works both fully or partially submersed.

**Wear resistant materials** – Manufactured to withstand even the worst environment, high-quality materials mean this pump will keep on running, day after day, time after time.

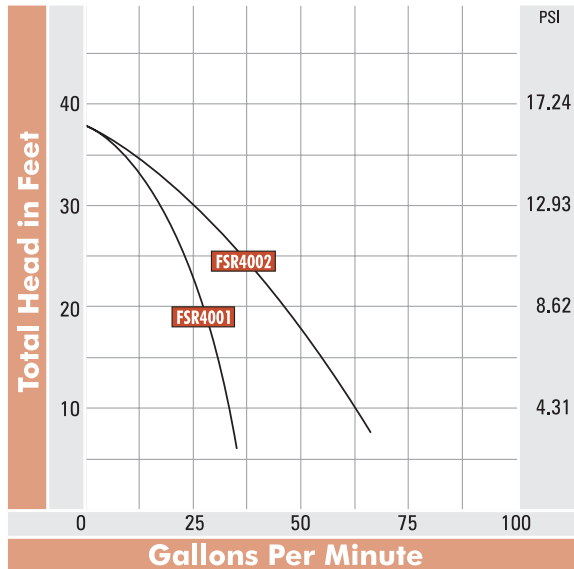




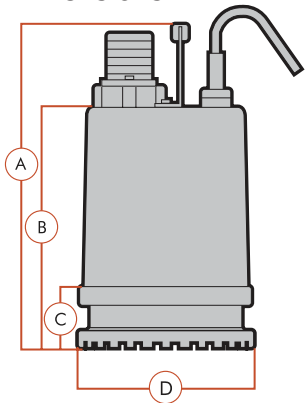
# Munro FSR Series

## Curves

HORSEPOWER RANGE: 1/2



## Dimensions



A	B	C	D	Model Number
13"	9.75"	3"	8.25"	FSR4001/4002

## Specifications – Pump

HP	Discharge	Solids Pass.	Max Head ft	Max Capacity gpm	Cord Length ft	Weight lbs	Model Number
1/2	1"	0.24"	38	34	10	26	FSR4001S11
	2"						FSR4002S11
	1"						FSR4001S22
	2"						FSR4002S22

## Specifications – Motor

HP	Volts	Amps	Thermal Protection	Solids Pass.	Liquid Max Temp.	Model Number
1/2	110	5.3	Y	0.24"	104° F	FSR4001S11
	110	5.3				FSR4002S11
	220	3				FSR4001S22
	220	3				FSR4002S22

# Munro FSL Series 1/2hp - 1hp



Designed for continuous or intermittent duty, the Munro FSL Series pumps offer an excellent value and Munro's high-quality standards. This lightweight, yet heavy-duty pump has a compact design with unique double casing to reduce heat.

- **Abrasion-resistant mechanical shaft seal** – protects the motor for longer life
- **Polycarbonate impeller** – easy maintenance and quiet operation
- **Aluminum alloy outer case** – lightweight with excellent cooling effect

## COMMON APPLICATIONS

Recommended for: pondless and waterfall style water features

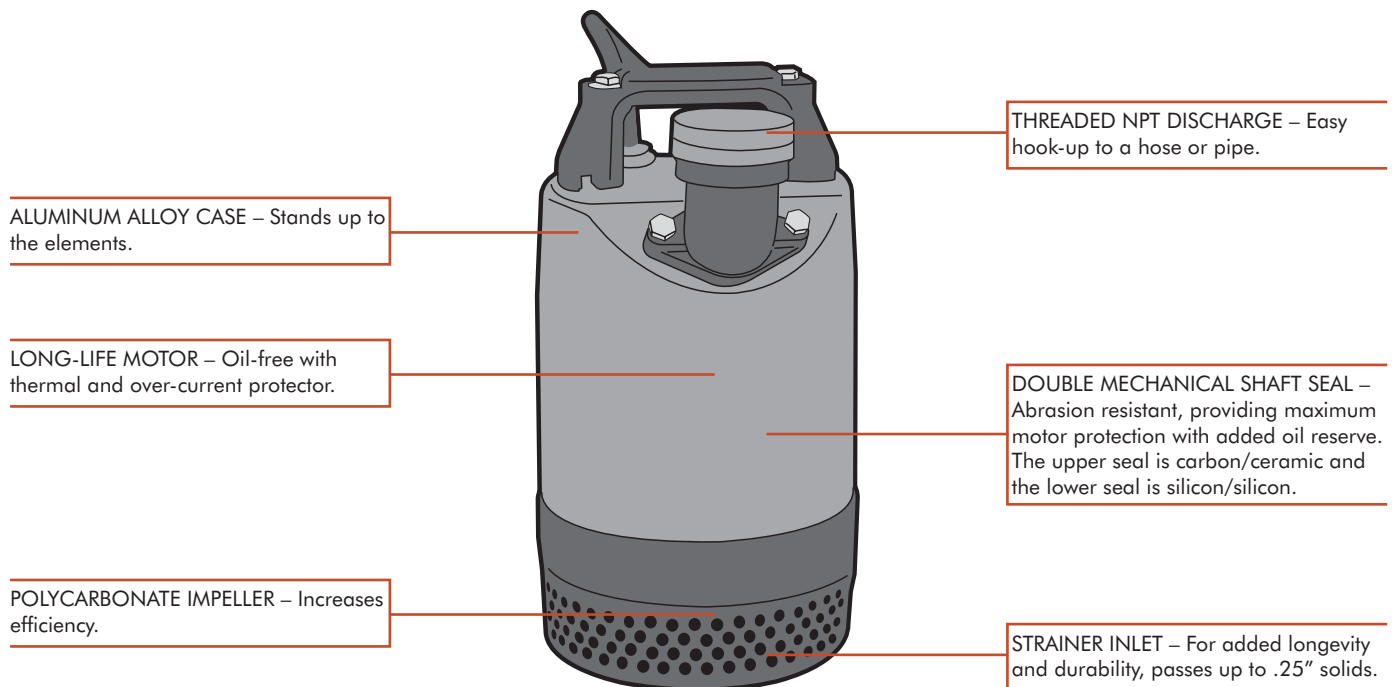
Other uses: construction dewatering, utility

## ADVANTAGES

**Great performance at a great value** – This lightweight pump offers heavy-duty performance and delivers more gpm than most other pumps in its class.

**Continuous duty design** – These pumps are made to run! Our design takes the flow path across the motor housing to whisk away the heat generated by the motor. A cool motor means a longer life.

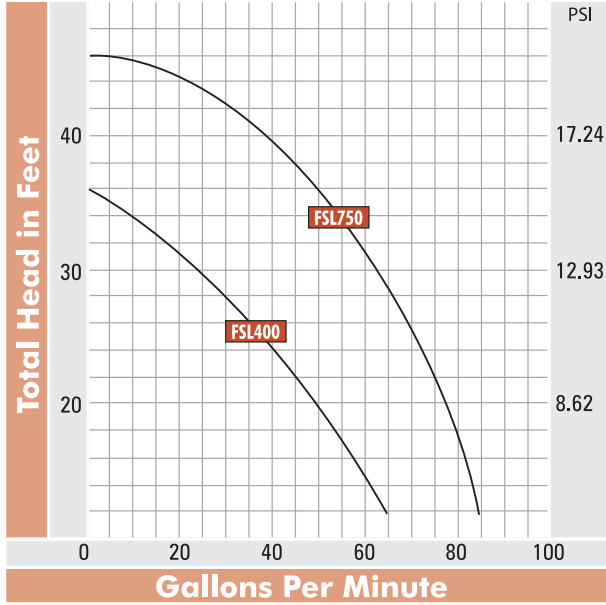
**Low cost to own** – Our pumps use lower amps than our competitors, which saves power and money.



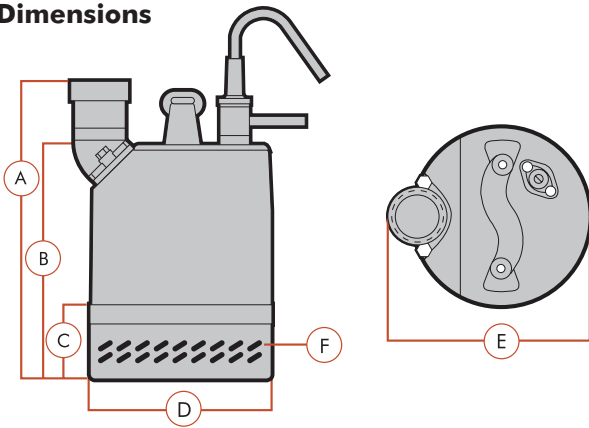
# Munro FSL Series

## Curves

HORSEPOWER RANGE: 1/2 - 1



## Dimensions



A	B	C	D	E	F	Model Number
11.875"	9.25"	2.75"	7.25"	8"	.25"	FSL400S11
13.125"	10.75"	3.5"	7.25"	8"	.25"	FSL750S11

## Specifications – Pump

HP	Discharge	Max Liquid Temp.	Solids Pass. in	Max Head ft	Max Capacity gpm	Weight lbs	Model Number
1/2	2"	100° F	0.25	36	63	16.5	FSL400S11
1				49	85	27.5	FSL750S11

## Specifications – Motor

HP	Volts	Amps	Cord Length ft	Thermal Protection	Max Liquid Temp.	Model Number
1/2	110	5.3	10	Y	104° F	FSL400S11
1		10				FSL750S11

# Munro Residential Dewatering Series 1/7hp - 1/3hp



Designed for continuous or intermittent duty, the Munro Residential Dewatering Series pumps offer an excellent value and Munro's high-quality standards. This space-saving, yet heavy-duty pump is low-water friendly and long lasting.

- **Abrasion-resistant mechanical shaft seal** – protects the motor for longer life
- **Self-protecting motor** – at high heat, automatic shutdown when there is no more fluid to pump
- **AAS plastic outer case** – durable and non-corrosive

## COMMON APPLICATIONS

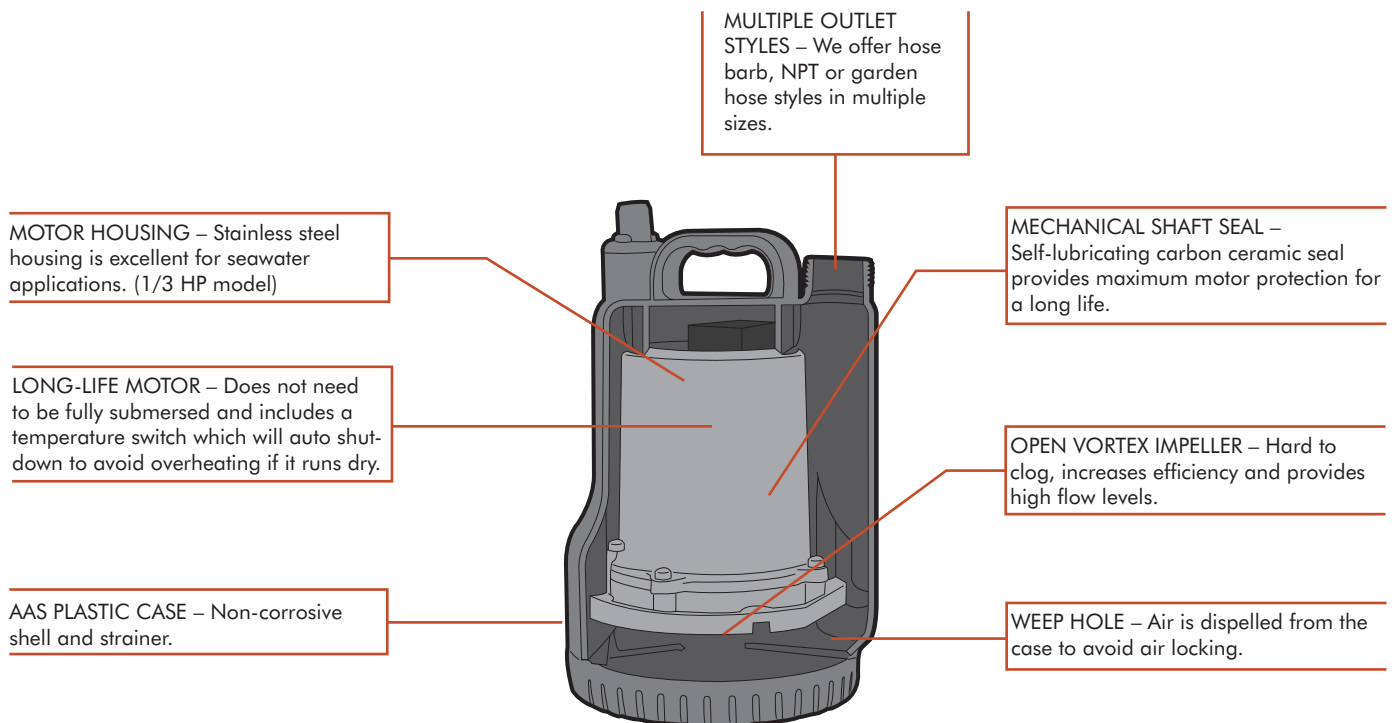
Recommended for: dewatering, utility, sump, water features  
Other uses: hot tub drainage, pools, cooling water for machinery

## ADVANTAGES

**Low failure rate** – This pump has a failure rate well under 1% because the same build principles of superior design are used in Munro's larger pumps are used in the Residential Dewatering pump. A mechanical shaft seal protects this super efficient motor.

**True continuous duty design** – These pumps are made to run! Our design takes the flow path across the motor housing to whisk away the heat generated by the motor. A cool motor means a longer life.

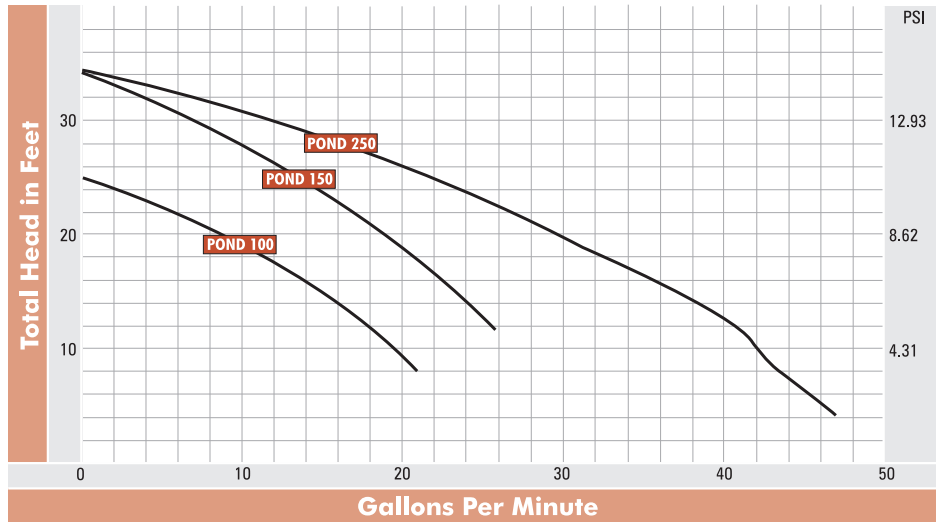
**Low cost to own** – Our pumps use lower amps and provide higher flows than our competitors, which saves power and money.



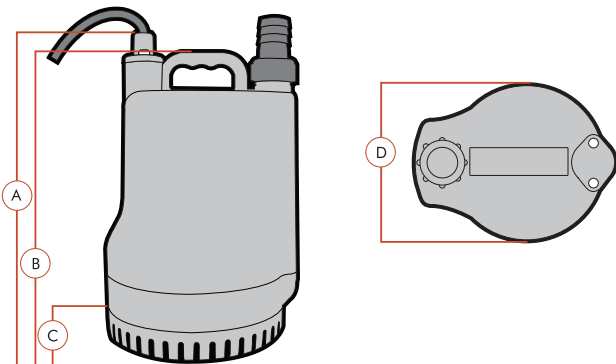
# Munro Residential Dewatering Series 1/7hp - 1/3hp

## Curves

HORSEPOWER RANGE: 1/7 - 1/3



## Dimensions



### Did You Know?

Float controls can be added to signal pumps!  
See page 94.

A	B	C	D	Model Number
10"	9.5"	2"	6"	POND100/150
10.5"	10"	2"	6"	POND250

## Specifications – Pump

HP	Discharge in	Phase	Max Head ft	Max Capacity gpm	Weight lbs	Solid Passage in	Model Number
1/7	5/8, 3/4,	1	25	21	8	.157	POND100
1/5	1" Hose, 1" NPT		34	28	9	.157	POND150
1/3	1.25"		34	47	9	.25	POND250

## Specifications – Motor

HP	Volts	Phase	Amps	Thermal Protection	Cord Length ft	Liquid Max Temp.	Model Number
1/7	110	1	2	Y	10	104° F	POND100
1/5	110		3				POND150
1/3	110		4.2				POND250